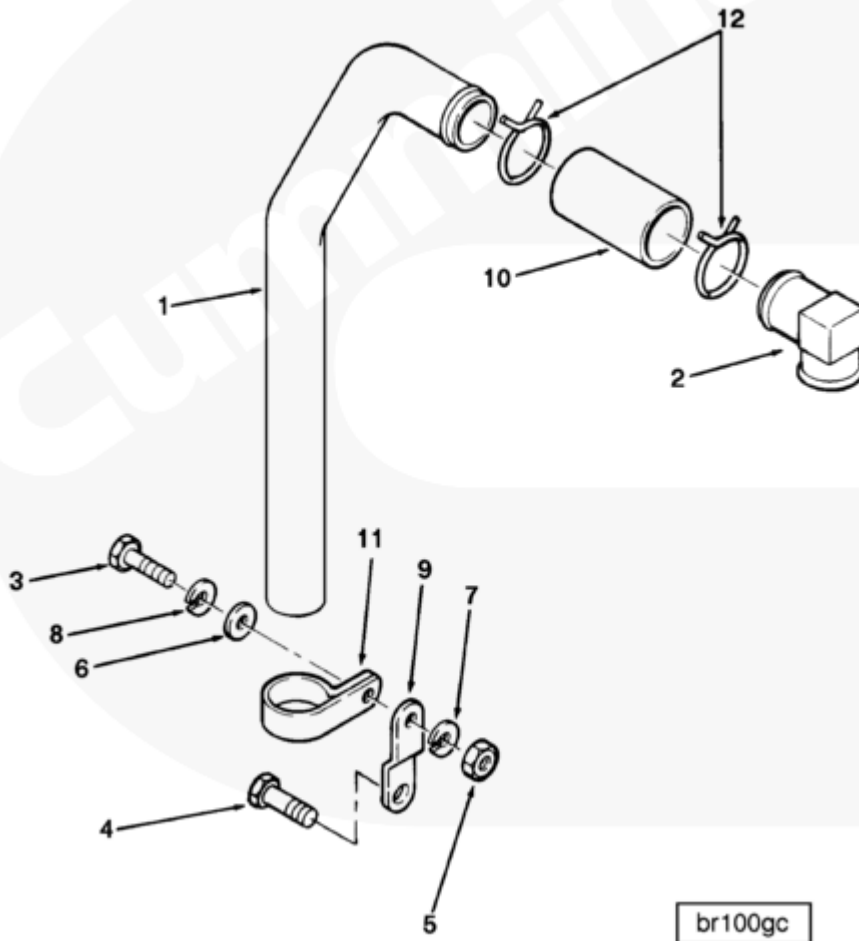




## Parts Catalog - Option Detail

Electronic Parts Catalog - Option Detail				
Option	Group	Graphic	Film Card	Date
BR1178-01	03.02	br100gc	FF	28-MAR-95
<b>Engines</b>	G855, G855 CM558, GTA855 CM558 (CM2358) G101, N14 CELECT, N14 CELECT PLUS, N14 MECHANICAL, NH/NT 855, QSM11 CM876 M101, QSM11 CM876 M102M, QSN14 CM876 N103, QSN14 CM876 N105, QSNT14 CM876 N102			

©Cummins Inc



[SMALL](#) | [MEDIUM](#) | [LARGE](#)

Cart	Ref No	Part Number	Part Description	Required	Remarks
<input type="button" value="View My Cart"/>					
		<a href="#">BR1178-01</a>	Crankcase Breather		<a href="#">Breather located...(More)</a>
					over No. 6 cylinder.

					Breather vent tube extends
					from No. 6 cylinder toward
					rear corner of cylinder
					block exhaust side. Clipped
					and terminated just
					below top of block.
<input type="checkbox"/>	1	<a href="#">3038035</a>	Breather Tube	1	
<input type="checkbox"/>	2	<a href="#">3047134</a>	Breather Tube	1	
<input type="checkbox"/>	3	<a href="#">S 109</a>	Hexagon Head Cap Screw	1	3/8 - 16 x 7/8 in.
<input type="checkbox"/>	4	<a href="#">S 190</a>	Hexagon Head Cap Screw	1	5/8 - 18 x 1 inch
<input type="checkbox"/>	5	<a href="#">S 223</a>	Heavy Hexagon Nut	1	3/8 - 16 UNC
<input type="checkbox"/>	6	<a href="#">S 602</a>	Plain Washer	2	3/8 in.
<input type="checkbox"/>	7	<a href="#">S 603</a>	Lock Washer	1	5/8 in.
<input type="checkbox"/>	8	<a href="#">S 604</a>	Lock Washer	1	3/8 in.
<input type="checkbox"/>	9	<a href="#">113710</a>	Tube Brace	1	
<input type="checkbox"/>	10	<a href="#">64775</a>	Plain Hose	1	
<input type="checkbox"/>	11	<a href="#">3082570</a>	Clip	2	
<input type="checkbox"/>	12	<a href="#">3008596</a>	Spring Hose Clamp	2	